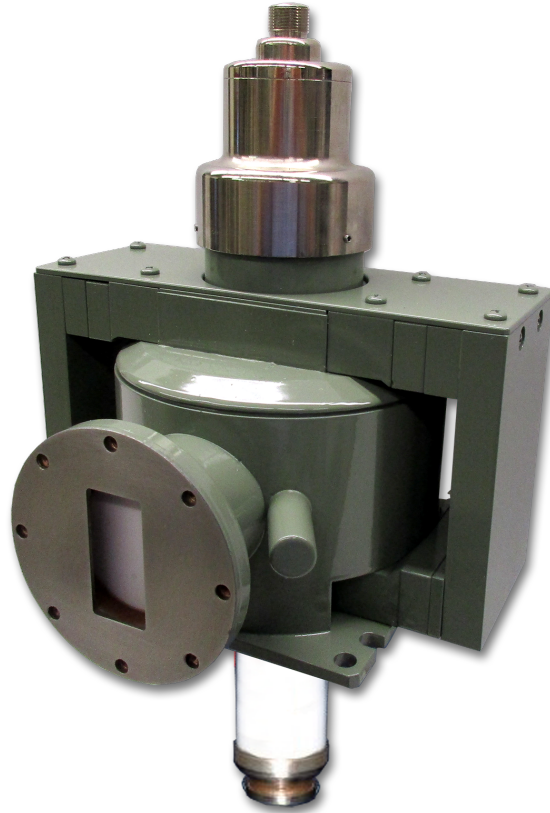


CPI Electron Device Business - Coaxial Magnetron



The VMC1891B is a coaxial magnetron that delivers high peak and average RF power for use in weather radar transmitters.

The VMC1891B will mount directly into new and existing sockets and can be operated under various pulse and input conditions to accommodate wide ranging operating requirements. In addition to high power, the VMC1891B provides excellent frequency stability, low jitter and long life.

FEATURES:

- Frequency 5.21 – 5.70 GHz
- Peak power output 250 kW min.
- Duty cycle .001
- Air cooled
- Mechanically tunable

BENEFITS:

- >40,000 hours life
- Exceptional frequency stability

APPLICATIONS:

- Weather radar

CPI EDB C-Band 250 kW Coaxial Magnetron: VMC1891B

Electrical Specifications

Frequency	5.21 -5.7 GHz
Peak power output (min.)	250 kW
Average power output (min.)	250 kW
Pulse voltage	23.0 – 26.5 kV
Peak anode current	24 A
Average anode current	24.0 mA
Maximum pulse width	3.0 μ S
Duty cycle	0.001
Maximum filament voltage	10.5 V
Maximum filament current	13 A
Minimum warm-up time	300 S
Maximum load VSWR	1.5:1

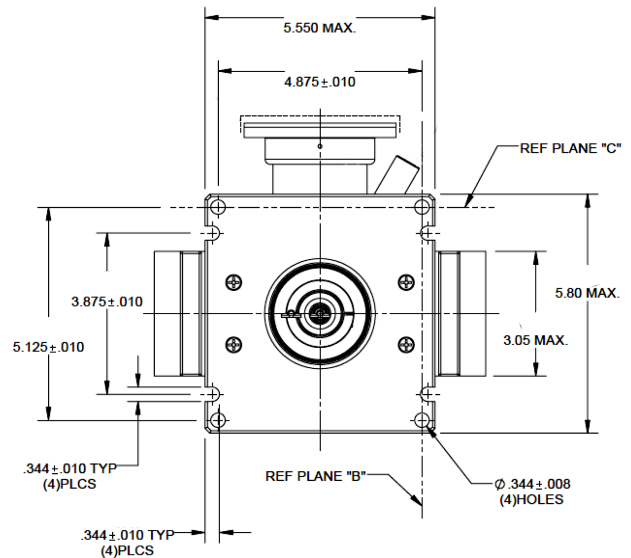
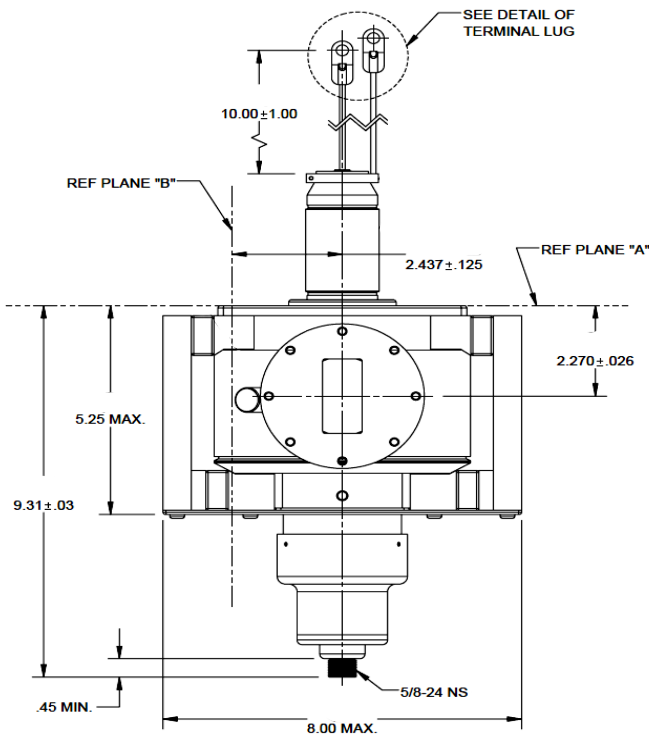
Mechanical and Environmental Specifications

Cooling	Forced air
Maximum body temperature	120 °C
Mounting position	Any
Support	Mounting flange
Coupling	WR 187 mates with UG148B/U choke flange modified for clearance holes
Weight	36 lbs. (16.33 kg)

*Electrical specifications are typical. Other operating conditions are obtainable.

With a history of producing high quality products, we can help your with magnetron.

Contact us at ElectronDevices@cpiedb.com or call us at +1 978-922-6000.



Beverly Microwave Division
 150 Sohier Road
 Beverly, Massachusetts
 USA 01915

tel +1 978-922-6000
 email ElectronDevices@cpiedb.com
 fax +1 978-922-8914
 web www.cpi-edb.com

For more detailed information, please refer to the corresponding CPI EDB technical description if one has been published, or contact CPI EDB. Specifications may change without notice as a result of additional data or product refinement. Please contact CPI EDB before using this information for system design.

©2024 CPI Electron Device Business. Company proprietary; use and reproduction is strictly prohibited without written authorization from CPI EDB.